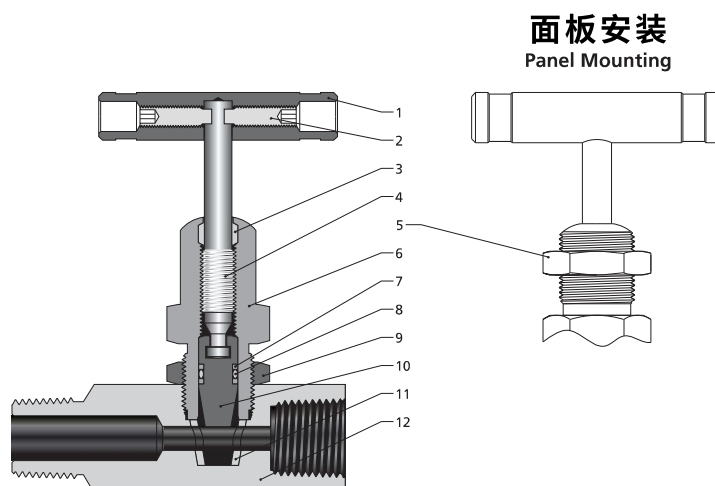


NR&NRG系列针阀

NR&NRG Series Ball Valves

上升式塞阀

Rising Plug Valves



- 冷拉方棒作为阀体材料
- 非旋转阀杆, 延长阀座寿命
- 可杆直通流道, 实现最大流量, 同时压降最小
- 阀杆螺纹润滑剂与系统介质隔离
- 可更换阀座和阀杆尖端设计
- 阀杆螺纹通过压盖中的 PTFE 环免受外部污染
- 提供面板安装
- 提供不同颜色的手柄
- 在最大允许工作压力下, 使用氮气或压缩空气对每个阀门进行泄漏测试
- 工作压力高达:
 - 不锈钢: 6000 psig (414 bar)
- 带阀座的工作温度:
 - 乙缩醛: -20°F 至 250°F (-28°C 至 121°C)
 - PEEK: -20°F 至 450°F (-28°C 至 232°C)
- 带 O 形圈的工作温度:
 - 氟橡胶 (FKM):
 - 20°F 至 400°F (-28°C 至 204°C)
 - 丁腈橡胶 (NBR):
 - 20°F 至 212°F (-28°C 至 100°C)
 - 乙烯丙烯二烯橡胶 (EPDM):
 - 20°F 至 300°F (-28°C 至 148°C)

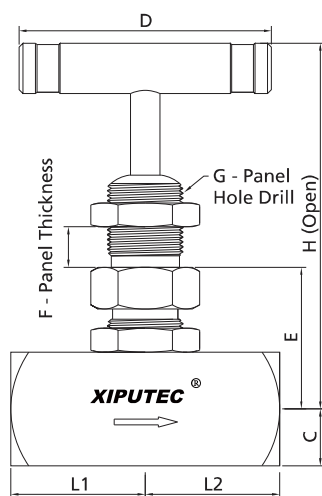
- Cold drawn square bar as body materia
- Nonrotating stem for longer seat life
- Roddable, straight through flow path for maximum flow with minimum pressure drop
- Stem thread lubricant isolated from system media
- Replaceable seat and stem tip design
- Stem thread protected from outside contamination by PTFE ring in the gland
- Panel mounting available
- Handles of different colors available
- Every valve leak tested with Nitrogen or compressed air at the maximum allowable working pressure
- Working pressure up to:
 - Stainless steel: 6000 psig (414 bar)
- Working temperature with seat:
 - Acetal: -20°F to 250°F (-28°C to 121°C)
 - PEEK: -20°F to 450°F (-28°C to 232°C)
- Working temperature with O-ring?
 - Fluorocarbon Rubber (FKM):
 - 20°F to 400°F (-28°C to 204°C)
 - Nitrile Butadiene Rubber (NBR):
 - 20°F to 212°F (-28°C to 100°C)
 - Ethylene Propylene Diene Rubber (EPDM):
 - 20°F to 300°F (-28°C to 148°C)

阀件-针阀 / Valve parts-Needle valve

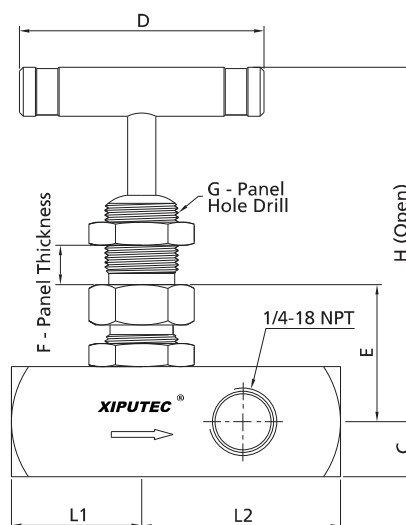
序号 Item	组件 Component	阀体材质 / Valve Body Material			
		316 SS	304 SS	321 SS	Alloy 400
		材料等级/ASTM 规范 / Material Grade/ASTM Specification			
1	HANDLE	Anodized aluminum or stainless steel or black knob			
2	SET SCREW	Galvanized carbon steel			
3	WIPER RING	PTFE/D1710			
4	UPPER STEM	316 SS/A479	316 SS/A479	316 SS/A479	Alloy 400/B164
5	PANEL NUT	Stainless steel	Stainless steel	Stainless steel	
6	BONNET	316 SS/A479	304 SS/A479	321 SS/A479	Alloy 400/B164
7	BACKUP RING	PTFE/D1710			
8	O-RING	Fluorocarbon Rubber (FKM), Nitrile Butadiene Rubber (NBR) or Ethylene Propylene Diene Rubber (EPDM)			
9	LOCK NUT	Stainless steel			
10	STEM TIP	316 SS/A479	304 SS/A479	316 SS/A479	Alloy 400/B164
11	SEAT				
12	BODY	316 SS/A479	304 SS/A479	321 SS/A479	Alloy 400/B164
	LUBRICANT	Molybdenum disulfide-based			

尺寸/Dimensions

标准图案
Standard Pattern
NR Series



仪表接口型式
Guage Port Pattern
NRG Series



零件号 Part No.	连接类型和尺寸 Connection Type and Size		孔径 Orifice in. (mm)	Cv	L1	L2	C	D	E	F	G	H
	内径/Inlet	外径/Outlet										
NR-FNS4	1/4 Female NPT	1/4 Female NPT	0.19 (4.8)	0.63	1.12 (28.4)	1.12 (28.4)	0.44 (11.1)	2.17 (55)	1.28 (32.5)	0.38 (9.7)	0.77 (19.6)	3.77 (95.8)
NR-NS4-FNS4	1/4 Male NPT	1/4 Female NPT	0.19 (4.8)	0.63	1.78 (45.2)	1.12 (28.4)	0.50 (12.7)	2.17 (55)	1.34 (34.0)	0.38 (9.7)	0.77 (19.6)	3.77 (95.8)
NR-NS8-FNS4	1/2 Male NPT	1/4 Female NPT	0.19 (4.8)	0.63	1.89 (48.0)	1.12 (28.4)	0.50 (12.7)	2.17 (55)	1.34 (34.0)	0.38 (9.7)	0.77 (19.6)	3.77 (95.8)
NRG-FNS4	1/4 Female NPT	1/4 Female NPT	0.19 (4.8)	0.63	1.12 (28.4)	1.75 (44.4)	0.50 (12.7)	2.17 (55)	1.34 (34.0)	0.38 (9.7)	0.77 (19.6)	3.77 (95.8)
NRG-NS8-FNS4	1/2 Male NPT	1/4 Female NPT	0.19 (4.8)	0.63	3.12 (79.2)	1.75 (44.4)	0.50 (12.7)	2.17 (55)	1.34 (34.0)	0.38 (9.7)	0.77 (19.6)	3.77 (95.8)
NR-FNS8	1/2 Female NPT	1/2 Female NPT	0.25 (6.4)	1.80	1.33 (33.8)	1.33 (33.8)	0.56 (14.3)	2.50 (63.5)	1.40 (35.5)	0.38 (9.7)	0.77 (19.6)	3.83 (97.3)
NR-NS8-FNS8	1/2 Male NPT	1/2 Female NPT	0.25 (6.4)	1.80	2.16 (54.9)	1.33 (33.8)	0.56 (14.3)	2.50 (63.5)	1.40 (35.5)	0.38 (9.7)	0.77 (19.6)	3.83 (97.3)
NR-NS12-FNS8	3/4 Male NPT	1/2 Female NPT	0.25 (6.4)	1.80	2.16 (54.9)	1.33 (33.8)	0.56 (14.3)	2.50 (63.5)	1.40 (35.5)	0.38 (9.7)	0.77 (19.6)	3.83 (97.3)
NRG-FNS8	1/2 Female NPT	1/2 Female NPT	0.25 (6.4)	1.80	3.33 (84.6)	2.25 (57.2)	0.56 (14.3)	2.50 (63.5)	1.40 (35.5)	0.38 (9.7)	0.77 (19.6)	3.83 (97.3)
NRG-NS12-FNS8	3/4 Male NPT	1/2 Female NPT	0.25 (6.4)	1.80	3.33 (84.6)	2.25 (57.2)	0.56 (14.3)	2.50 (63.5)	1.40 (35.5)	0.38 (9.7)	0.77 (19.6)	3.83 (97.3)

1. 所列尺寸和类型为标准尺寸。其他尺寸和类型可根据要求提供。
2. 对于上面未显示的尺寸, 请联系 XIPUTEC 或我们的授权经销商。
1. Sizes and types listed are standard. Other sizes and types are available upon request.
2. For dimensions not shown above, please contact XIPUTEC or our authorized distributors.

订购编号说明 Ordering Number Description

SS → NR → ID → 10

材料 / Material		系列 / Series	连接 1 类型 Connection 1 Type		连接 1 尺寸 Connection 1 Size	
SS	316 SS	NR	FNS	Female NPT	2	1/8"
S4	304 SS		NS	Male NPT	4	1/4"
S1	321 SS		FRT	Female BSPT	6	3/8" or 6 mm
316L	316L SS		RT	Male BSPT	8	1/2" or 8 mm
			FRP	Female BSPP (for RP)	10	10 mm
			FL	Fractional Tube Fitting	12	3/4" or 12 mm
			ML	Metric Tube Fitting	14	14 mm or M14 x 1.5
			UFB	Nut + Gasket + Fractional Tube Bulged Nipple	16	1" or 16 mm
			UMB	Nut + Gasket + Metric Tube Bulged Nipple	18	18 mm
			UPB	Nut + Gasket + Pipe Bulged Nipple	20	1 1/4" or 20 mm or M20 x 1.5
					22	22 mm or M22 x 1.5
					24	M24 x 1.5

→ PE

阀座材质 Seat Material	
Acetal	
PE	PEEK

→ C1

清洁及产品包装 Cleaning and Packaging
C1