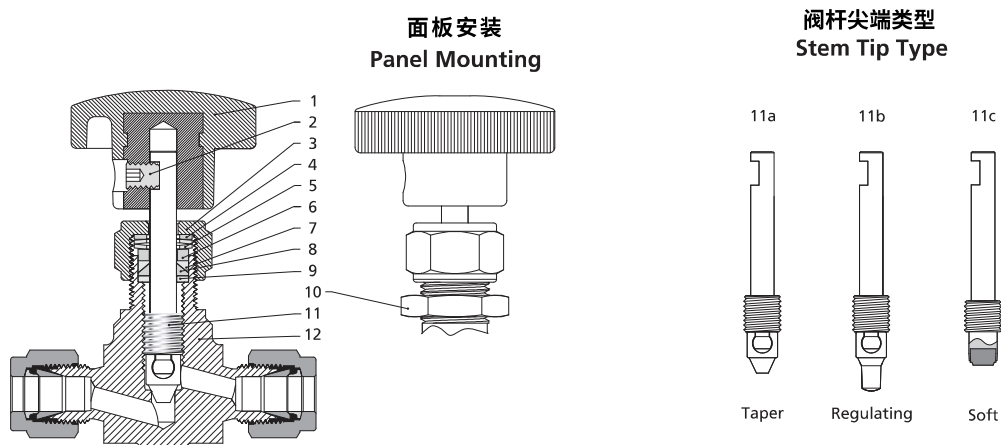


# NI&NIH 系列针阀

## NI&NIH Series Needle Valves

### 整体式阀盖针阀

### Integral Bonnet Needle Valves



- 工作压力最高可达:10000 psig (690 bar)
- 工作温度: -40°F 至 450°F (-40°C 至 232°C)
- 双通阀双向流动
- 通过自由浮动球补偿阀座磨损
- 多种端部连接
- 具有自密封功能的防喷出阀杆
- 提供手柄颜色选项
- 可选气动和电动执行器
- 工作压力最高可达:
- NI 系列 - 不锈钢、黄铜、合金 400:3000psig (207 bar)
- NIH 系列 - 不锈钢:5000 psig (345 bar)
- 工作温度:
- PTFE: -65°F 至 450°F (-54°C 至 232°C)
- PEEK: -65°F 至 500°F (-54°C 至 260°C)

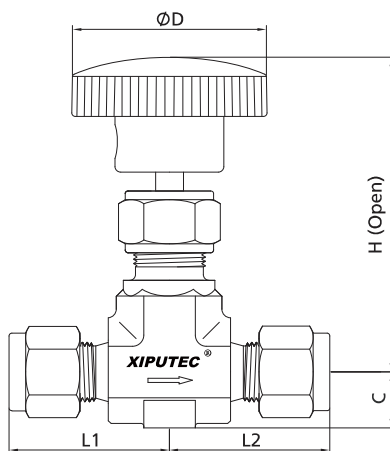
- Working pressure up to: 10000 psig (690 bar)
- Working temperature: -40°F to 450°F(-40°C to 232°C)
- Bidirectional flow for 2-way valves
- Seat wear compensation by free floating ball
- Variety of end connections
- Blowout proof stem with self-sealing function
- Handle color options available
- Optional pneumatic and electric actuator
- Working pressure up to:
- NI Series-Stainless steel, Brass, Alloy 400: 3000 psig (207 bar)
- NIH Series-Stainless steel: 5000 psig (345 bar)
- Working temperature:
- PTFE: -65°F to 450°F(-54°C to 232°C)
- PEEK: -65°F to 500°F(-54°C to 260°C)

序号 Item	组件 Component	阀体材质 / Valve Body Material		
		304 SS	316 SS	321 SS
		材料等级/ASTM 规范 / Material Grade/ASTM Specification		
1	HANDLE	Black knob (aluminum or nylon with copper insert), aluminum alloy or stainless steel bar handle		
2	SET SCREW	Galvanized carbon steel		
3	PACKING BOLT	304 SS/A479	Brass C36000/B16	304 SS/A479
4	WASHER	316SS/A479	316SS/A479	316SS/A479
5	PACKING SPRING	S17700/A693	S17700/A693	S17700/A693
6	WASHER	316SS/A479	316SS/A479	316SS/A479
7	UPPER PACKING	PTFE/PEEK		
8	LOWER PACKING	PTFE/PEEK		
9	PACKING WASHER	316SS/A479	316SS/A479	Alloy 400/B164
10	PANEL NUT	Stainless steel	Brass C36000/B16	Stainless steel
11a	STEM	316 SS/A479	316 SS/A479	Alloy 400/B164
11b	STEM TIP	Hardened 316 SS/A479	Hardened 316 SS/A479	Alloy 400/B164
11c	STEM	316SS/A479	316SS/A479	Alloy 400/B164
11c	STEM TIP	PCTFE Or PEEK		
12	BODY	316 SS/A182	Brass C37700/B283	Alloy 400/B564
	LUBRICANT	Molybdenum disulfide-based		

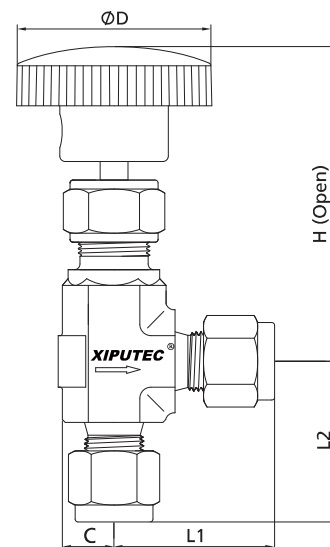
## 尺寸/Dimensions

### NI Series

#### 标准图案 / Straight Pattern



#### 角度图案 / Angle Pattern



## 阀件-针阀 / Valve parts-Needle valve

零件号 Part No.	连接类型和尺寸 Connection Type and Size		孔径 Orifice in.(mm)	Cv	L1	L2	C	D	H
	内径/Inlet	外径/Outlet							
##-NI-NT2	1/8 Male NPT	1/8 Male NPT	0.08 (2.0)	0.09	0.75 (19.0)	0.75 (19.0)	0.32 (8.2)	1.00 (25.4)	2.30 (58.4)
##-NI-NTF2/01	1/8 Female NPT	1/8 Female NPT	0.08 (2.0)	0.09	0.81 (20.6)	0.81 (20.6)	0.32 (8.2)	1.00 (25.4)	2.30 (58.4)
##-NI-ID2	1/8" XIPUTEC	1/8" FLST	0.08 (2.0)	0.09	0.98 (25.0)	0.98 (25.0)	0.32 (8.2)	1.00 (25.4)	2.30 (58.4)
##-NI-MD3	3 mm XIPUTEC	3 mm FLST	0.08 (2.0)	0.09	0.98 (25.0)	0.98 (25.0)	0.32 (8.2)	1.00 (25.4)	2.30 (58.4)
##-NI-NTF2/02	1/8 Female NPT	1/8 Female NPT	0.16 (4.0)	0.35	0.81 (20.6)	0.81 (20.6)	0.39 (10.0)	1.38 (35.0)	2.46 (62.5)
##-NI-NT4	1/4 Male NPT	1/4 Male NPT	0.16 (4.0)	0.35	0.98 (25.0)	0.98 (25.0)	0.39 (10.0)	1.38 (35.0)	2.46 (62.5)
##-NI-ID4	1/4" XIPUTEC	1/4" FLST	0.16 (4.0)	0.35	1.13 (28.7)	1.13 (28.7)	0.39 (10.0)	1.38 (35.0)	2.46 (62.5)
##-NI-MD6	6 mm XIPUTEC	6 mm FLST	0.16 (4.0)	0.35	1.13 (28.7)	1.13 (28.7)	0.39 (10.0)	1.38 (35.0)	2.46 (62.5)
##-NI-MD8	8 mm XIPUTEC	8 mm FLST	0.16 (4.0)	0.35	1.17 (29.7)	1.17 (29.7)	0.39 (10.0)	1.38 (35.0)	2.46 (62.5)
##-NI-UMB6	6 mm UMB	6 mm UMB	0.16 (4.0)	0.35	2.24 (57.0)	2.24 (57.0)	0.39 (10.0)	1.38 (35.0)	2.46 (62.5)
##-NI-NTF4	1/4 Female NPT	1/4 Female NPT	0.25 (6.4)	0.70	1.06 (26.9)	1.06 (26.9)	0.49 (12.5)	1.88 (47.8)	2.85 (72.4)
##-NI-NTF6	3/8" Female NPT	3/8 Female NP	0.25 (6.4)	0.70	1.06 (26.9)	1.06 (26.9)	0.62 (15.8)	1.88 (47.8)	2.90 (73.7)
##-NI-NT6	3/8 Male NPT	3/8 Male NPT	0.25 (6.4)	0.70	1.12 (28.4)	1.12 (28.4)	0.49 (12.5)	1.88 (47.8)	2.85 (72.4)
##-NI-NT8	1/2 Male NPT	1/2 Male NPT	0.25 (6.4)	0.70	1.50 (38.1)	1.50 (38.1)	0.62 (15.8)	1.88 (47.8)	2.90 (73.7)
##-NI-ID6	3/8" XIPUTEC	3/8" FLST	0.25 (6.4)	0.70	1.29 (32.8)	1.29 (32.8)	0.49 (12.5)	1.88 (47.8)	2.85 (72.4)
##-NI-ID8/01	1/2" XIPUTEC	1/2" FLST	0.25 (6.4)	0.70	1.40 (35.6)	1.40 (35.6)	0.49 (12.5)	1.88 (47.8)	2.85 (72.4)
##-NI-MD10	10 mm XIPUTEC	10 mm FLST	0.25 (6.4)	0.70	1.30 (33.0)	1.30 (33.0)	0.49 (12.5)	1.88 (47.8)	2.85 (72.4)
##-NI-MD12	12 mm XIPUTEC	12 mm FLST	0.25 (6.4)	0.70	1.40 (35.6)	1.40 (35.6)	0.49 (12.5)	1.88 (47.8)	2.85 (72.4)
##-NI-MD14/01	14 mm XIPUTEC	14 mm FLST	0.25 (6.4)	0.70	1.56 (39.7)	1.56 (39.7)	0.62 (15.8)	1.88 (47.8)	2.90 (73.7)
##-NI-MS20	M20x 1.5 Male Metric	M20x 1.5 Male Metric	0.25 (6.4)	0.70	1.50 (38.1)	1.50 (38.1)	0.62 (15.8)	1.88 (47.8)	2.90 (73.7)
##-NI-UMB10	10 mm UMB	10 mm UMB	0.25 (6.4)	0.70	2.60 (66.0)	2.60 (66.0)	0.49 (12.5)	1.88 (47.8)	2.85 (72.4)
##-NI-UMB14	14 mm UMB	14 mm UMB	0.25 (6.4)	0.70	2.60 (66.0)	2.60 (66.0)	0.49 (12.5)	1.88 (47.8)	2.85 (72.4)
##-NI-NTF8	1/2 Female NPT	1/2 Female NPT	0.25 (6.4)	0.70	1.50 (38.1)	1.50 (38.1)	0.76 (19.4)	1.88 (47.8)	2.85 (72.4)
##-NI-NT12	3/4 Male NPT	3/4 Male NPT	0.39 (10.0)	1.80	1.56 (39.7)	1.56 (39.7)	0.76 (19.4)	3.50 (88.9)	3.37 (85.7)
##-NI-ID8/02	1/2" FITOK	1/2" FITOK	0.39 (10.0)	1.80	1.90 (48.3)	1.90 (48.3)	0.76 (19.4)	3.50 (88.9)	3.37 (85.7)
##-NI-ID12	3/4" FITOK	3/4" FITOK	0.39 (10.0)	1.80	1.90 (48.3)	1.90 (48.3)	0.76 (19.4)	3.50 (88.9)	3.37 (85.7)
##-NI-MD14/02	14 mm FITOK	14 mm FITOK	0.39 (10.0)	1.80	1.90 (48.3)	1.90 (48.3)	0.76 (19.4)	3.50 (88.9)	3.37 (85.7)

1.连接类型“XIPUTEC”表示XIPUTEC双卡套管接头。当阀门连接类型为XIPUTEC双卡套管接头时，阀门的工作压力与所用管道的壁厚有关。

有关阀门的具体工作压力，请参阅XIPUTEC 管材目录的允许工作压力。

2.连接类型“TS”表示英制管承插焊。“MCS”表示公制管承插焊，“MGB”表示公制管对接焊。“UMB”表示可旋转公制管对接焊。“PS”表示管承插焊。

3.所列尺寸和类型为标准尺寸。可根据要求提供其他尺寸和类型。有关详细信息，请联系XIPUTEC集团或我们的授权经销商。

4.尺寸显示XIPUTEC管接头螺母用手拧紧。所有尺寸仅供参考，可能会更改。对于上面未显示的尺寸。

请联系 XIPUTEC VALVES 或我们的授权经销商

1.Connection type of "XIPUTEC" means XIPUTEC double ferrule tube fittings. When the connection type of valves is XIPUTEC double ferrule tube fitting, the working pressures of the valves are related to the wall thickness of tubing applied. For specific working pressure of the valves, please refer to the allowable working pressures in XIPUTEC Catalog Tubing.

2.Connection type of "TS" means fractional tube socket weld. "MCS" means metric tube socket weld, MGB" means metric tube butt weld. "UMB means rotatable metric tube butt weld. "PS" means pipe socket weld.

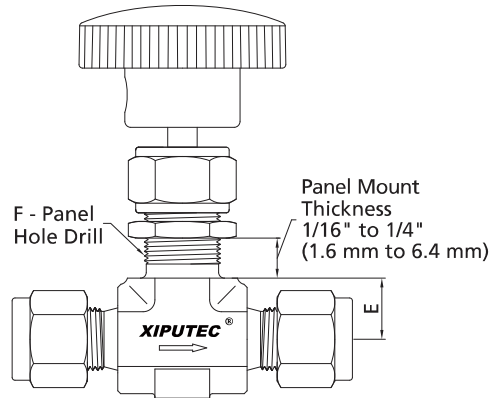
3.Sizes and types listed are standard. Other sizes and types are available upon request. For details, please contact XIPUTEC Group or our authorized distributors.

4. Dimensions are shown with XIPUTEC tube fitting nuts finger-tight. All dimensions are for reference only and are subject to change. For dimensions not shown above.

please contact XIPUTEC VALVES or our authorized distributors.

## NI系列面板安装尺寸

### Panel Mount Dimensions of Ni Series



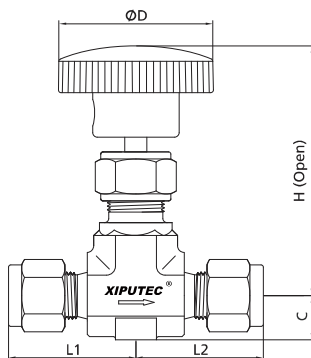
Dimensions, in. (mm)	Orifice	E	F	Dimensions, in. (mm)	Orifice	E	F	
	0.08 (2.0)	0.44 (11.2)	0.47 (11.9)					
	0.16 (4.0)	0.44 (11.2)	0.53 (13.5)					
	0.25 (6.4)	0.50 (12.7)	0.78 (19.8)					
	0.39 (10.0)	0.75 (19.1)	1.03 (26.2)					

1. NI 系列针阀为标准配置, 无面板安装。
2. 如需订购带面板安装的针阀 (如图所示), 请在订购号中添加-Y, 例如: NISS-NS2-5-Y
1. NIH Series Needle Valves are standard without panel mounting.
2. To order needle valves with panel mounting as illustrated, add-Y to the ordering number, Example: NISS-NS2-5-Y

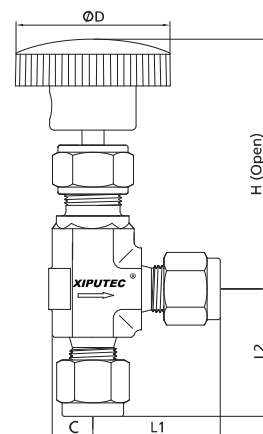
## NIH系列/NIH Series

### 尺寸/Dimensions

#### 标准图案 / Straight Pattern



#### 角度图案 / Angle Pattern



## 阀件-针阀 / Valve parts-Needle valve

零件号 Part No.	连接类型和尺寸 Connection Type and Size		孔径 Orifice in.(mm)	Cv	L1	L2	C	D	H
	内径/Inlet	外径/Outlet							
##-NIH-NT2	1/8 Male NPT	1/8 Male NPT	0.08 (2.0)	0.09	0.75 (19.0)	0.75 (19.0)	0.32 (8.2)	1.00 (25.4)	2.30 (58.4)
##-NIH-NTF2/01	1/8 Female NPT	1/8 Female NPT	0.08 (2.0)	0.09	0.81 (20.6)	0.81 (20.6)	0.32 (8.2)	1.00 (25.4)	2.30 (58.4)
##-NIH-ID2	1/8" XIPUTEC	1/8" FLST	0.08 (2.0)	0.09	0.98 (25.0)	0.98 (25.0)	0.32 (8.2)	1.00 (25.4)	2.30 (58.4)
##-NIH-MD3	3 mm XIPUTEC	3 mm FLST	0.08 (2.0)	0.09	0.98 (25.0)	0.98 (25.0)	0.32 (8.2)	1.00 (25.4)	2.30 (58.4)
##-NIH-NTF2/02	1/8 Female NPT	1/8 Female NPT	0.16 (4.0)	0.35	0.81 (20.6)	0.81 (20.6)	0.39 (10.0)	1.38 (35.0)	2.46 (62.5)
##-NIH-NT4	1/4 Male NPT	1/4 Male NPT	0.16 (4.0)	0.35	0.98 (25.0)	0.98 (25.0)	0.39 (10.0)	1.38 (35.0)	2.46 (62.5)
##-NIH-ID4	1/4" XIPUTEC	1/4" FLST	0.16 (4.0)	0.35	1.13 (28.7)	1.13 (28.7)	0.39 (10.0)	1.38 (35.0)	2.46 (62.5)
##-NIH-MD6	6 mm XIPUTEC	6 mm FLST	0.16 (4.0)	0.35	1.13 (28.7)	1.13 (28.7)	0.39 (10.0)	1.38 (35.0)	2.46 (62.5)
##-NIH-MD8	8 mm XIPUTEC	8 mm FLST	0.16 (4.0)	0.35	1.17 (29.7)	1.17 (29.7)	0.39 (10.0)	1.38 (35.0)	2.46 (62.5)
##-NIH-UMB6	6 mm UMB	6 mm UMB	0.16 (4.0)	0.35	2.24 (57.0)	2.24 (57.0)	0.39 (10.0)	1.38 (35.0)	2.46 (62.5)
##-NIH-NTF4	1/4 Female NPT	1/4 Female NPT	0.25 (6.4)	0.70	1.06 (26.9)	1.06 (26.9)	0.49 (12.5)	1.88 (47.8)	2.85 (72.4)
##-NIH-NTF6	3/8" Female NPT	3/8 Female NP	0.25 (6.4)	0.70	1.06 (26.9)	1.06 (26.9)	0.62 (15.8)	1.88 (47.8)	2.90 (73.7)
##-NIH-NT6	3/8 Male NPT	3/8 Male NPT	0.25 (6.4)	0.70	1.12 (28.4)	1.12 (28.4)	0.49 (12.5)	1.88 (47.8)	2.85 (72.4)
##-NIH-NT8	1/2 Male NPT	1/2 Male NPT	0.25 (6.4)	0.70	1.50 (38.1)	1.50 (38.1)	0.62 (15.8)	1.88 (47.8)	2.90 (73.7)
##-NIH-ID6	3/8" XIPUTEC	3/8" FLST	0.25 (6.4)	0.70	1.29 (32.8)	1.29 (32.8)	0.49 (12.5)	1.88 (47.8)	2.85 (72.4)
##-NIH-ID8/01	1/2" XIPUTEC	1/2" FLST	0.25 (6.4)	0.70	1.40 (35.6)	1.40 (35.6)	0.49 (12.5)	1.88 (47.8)	2.85 (72.4)
##-NIH-MD10	10 mm XIPUTEC	10 mm FLST	0.25 (6.4)	0.70	1.30 (33.0)	1.30 (33.0)	0.49 (12.5)	1.88 (47.8)	2.85 (72.4)
##-NIH-MD12	12 mm XIPUTEC	12 mm FLST	0.25 (6.4)	0.70	1.40 (35.6)	1.40 (35.6)	0.49 (12.5)	1.88 (47.8)	2.85 (72.4)
##-NIH-MD14/01	14 mm XIPUTEC	14 mm FLST	0.25 (6.4)	0.70	1.56 (39.7)	1.56 (39.7)	0.62 (15.8)	1.88 (47.8)	2.90 (73.7)
##-NIH-MS20	M20x 1.5 Male Metric	M20x 1.5 Male Metric	0.25 (6.4)	0.70	1.50 (38.1)	1.50 (38.1)	0.62 (15.8)	1.88 (47.8)	2.90 (73.7)
##-NIH-UMB10	10 mm UMB	10 mm UMB	0.25 (6.4)	0.70	2.60 (66.0)	2.60 (66.0)	0.49 (12.5)	1.88 (47.8)	2.85 (72.4)
##-NIH-UMB14	14 mm UMB	14 mm UMB	0.25 (6.4)	0.70	2.60 (66.0)	2.60 (66.0)	0.49 (12.5)	1.88 (47.8)	2.85 (72.4)
##-NIH-NTF8	1/2 Female NPT	1/2 Female NPT	0.25 (6.4)	0.70	1.50 (38.1)	1.50 (38.1)	0.76 (19.4)	1.88 (47.8)	2.85 (72.4)
##-NIH-NT12	3/4 Male NPT	3/4 Male NPT	0.39 (10.0)	1.80	1.56 (39.7)	1.56 (39.7)	0.76 (19.4)	3.50 (88.9)	3.37 (85.7)
##-NIH-ID8/02	1/2" FITOK	1/2" FITOK	0.39 (10.0)	1.80	1.90 (48.3)	1.90 (48.3)	0.76 (19.4)	3.50 (88.9)	3.37 (85.7)
##-NIH-ID12	3/4" FITOK	3/4" FITOK	0.39 (10.0)	1.80	1.90 (48.3)	1.90 (48.3)	0.76 (19.4)	3.50 (88.9)	3.37 (85.7)
##-NIH-MD14/02	14 mm FITOK	14 mm FITOK	0.39 (10.0)	1.80	1.90 (48.3)	1.90 (48.3)	0.76 (19.4)	3.50 (88.9)	3.37 (85.7)

1. 连接类型“XIPUTEC”表示XIPUTEC双卡套管接头。当阀门连接类型为XIPUTEC双卡套管接头时，阀门的工作压力与所用管道的壁厚有关。

有关阀门的具体工作压力，请参阅XIPUTEC 管材目录的允许工作压力。

2. 连接类型“TS”表示英制管承插焊。“MCS”表示公制管承插焊，“MGB”表示公制管对接焊。“UMB”表示可旋转公制管对接焊。“PS”表示管承插焊。

3. 所列尺寸和类型为标准尺寸。可根据要求提供其他尺寸和类型。有关详细信息，请联系XIPUTEC集团或我们的授权经销商。

4. 尺寸显示XIPUTEC管接头螺母用手拧紧。所有尺寸仅供参考，可能会更改。对于上面未显示的尺寸。

请联系 XIPUTEC VALVES 或我们的授权经销商

1. Connection type of "XIPUTEC" means XIPUTEC double ferrule tube fittings. When the connection type of valves is XIPUTEC double ferrule tube fitting, the working pressures of the valves are related to the wall thickness of tubing applied. For specific working pressure of the valves, please refer to the allowable working pressures in XIPUTEC Catalog Tubing.

2. Connection type of "TS" means fractional tube socket weld. "MCS" means metric tube socket weld, MGB" means metric tube butt weld. "UMB means rotatable metric tube butt weld. "PS" means pipe socket weld.

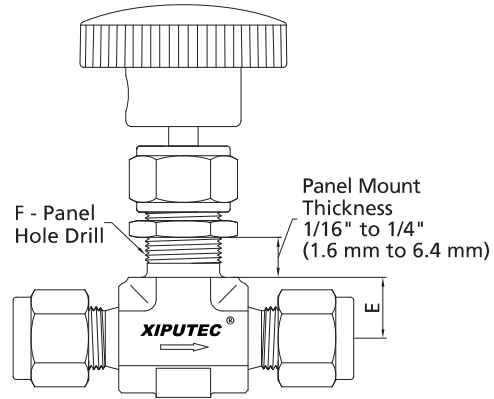
3. Sizes and types listed are standard. Other sizes and types are available upon request. For details, please contact XIPUTEC Group or our authorized distributors.

4. Dimensions are shown with XIPUTEC tube fitting nuts finger-tight. All dimensions are for reference only and are subject to change. For dimensions not shown above.

please contact XIPUTEC VALVES or our authorized distributors.

## NIH系列面板安装尺寸

### Panel Mount Dimensions of NIH Series



Dimensions, in. (mm)	Orifice	E	F	Dimensions, in. (mm)	Orifice	E	F
	0.08 (2.0)	0.44 (11.2)	0.47 (11.9)		0.16 (4.0)	0.44 (11.2)	0.53 (13.5)
0.25 (6.4)	0.50 (12.7)	0.78 (19.8)	0.39 (10.0)	0.75 (19.1)	1.03 (26.2)		

1. NIH 系列针阀为标准配置, 无面板安装。
2. 如需订购带面板安装的针阀 (如图所示) .
1. NIH Series Needle Valves are standard without panel mounting.
2. To order needle valves with panel mounting as illustrated, add-Y to the ordering number.

订购编号说明  
Ordering Number Description

**SS** <sup>①</sup> → **NI** <sup>②</sup> → **ID** <sup>③</sup> → **10**

材料 / Material		系列 / Series	连接1类型 Connection 1 Type		连接1尺寸 Connection 1 Size	
SS	316 SS	NI	FNS	Female NPT	2	1/8"
S4	304 SS	NIH	NS	Male NPT	4	1/4"
316L	316 SS		FRT	Female BSPT	6	3/8" or 6 mm
M4	Alloy 400		RT	Male BSPT	8	1/2" or 8 mm
C276	C-276		FMS	Female Metric Thread (for RP/RG)	10	10 mm
B	Brass		MS	Male Metric Thread (for PR/RG)	12	3/4" or 12 mm
C	Carbon Steel		FRP	Female BSPP (for RP)	14	14 mm or M14 x 1.5
TI	Titanium		BP	Male BSPP (for PR/RG)	16	1" or 16 mm
			FL	Fractional Tube Fitting	18	18 mm
			ML	Metric Tube Fitting	20	1 1/4" or 20 mm or M20 x 1.5
			UMB	Nut + Gasket + Metric Bulged Nipple	22	22 mm or M22 x 1.5

<sup>④</sup> → **ST** <sup>⑤</sup> → **B** <sup>⑥</sup> → **PE** <sup>⑦</sup> → **A**

阀杆尖材质 Stem Tip Material		阀杆尖类型 Stem Tip Type		阀座材质 Seat Material		流动型态 Flow Pattern	
Same as Body		Taper		PTFE		Straight	
ST	Stellite	BA	Ball	PE	PEEK	A	Angle
Ti	Titanium	ST	Soft Tip-PTFE				
M4	Alloy 400	SK	Soft Tip-PCTFE				

<sup>⑧</sup> → **C1**

清洁及产品包装  
Cleaning and  
Packaging