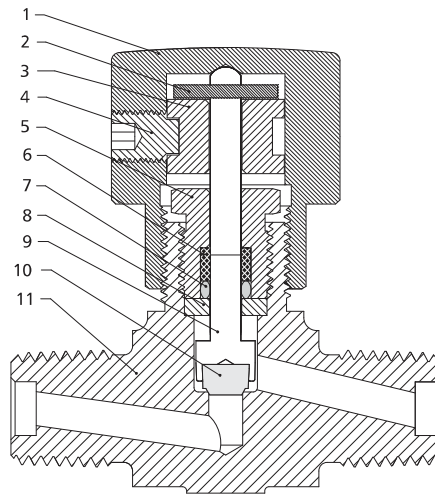


NN&NNH 系列针阀

NN&NNH Series Needle Valves

非旋转杆针阀

Nonrotating-stem Needle Valves



- 一体式锻造阀体
- 直型和角型
- 紧凑型设计
- 非旋转阀杆
- 专门设计的手柄可防止污染物

进入阀门

- 每个阀门均使用氮气或压缩空气在最大允许工作压力下进行泄漏测试

--工作压力高达:

ND 系列-不锈钢:3000 psig (207 bar)

黄铜:3000 psig (207 bar)

NDH 系列-不锈钢:5000 psig(345 bar)

--带阀杆头的工作温度:

--PCTFE 阀杆头:-20°F 至 200F(-28°C 至 93°C)

--PEEK 阀杆头:-20°F 至 400°F(-28°C 至 204°C)

--带 O 形圈的工作温度:

氟碳橡胶(FKM):

-20°F 至 400°F(-28°C 至 204°C)

丁腈橡胶 (NBR):

-20°F 至 212°F(-28°C 至 100°C)

乙烯丙烯二烯橡胶 PDM:-20°F 至 300°F

(-28°C 至 148°C)

- One-piece forged body

- Straight and angle pattern

- Compact design

- Non-rotating stem

- Specially designed handle to stop contamination from entering into the valve

- Every valve leak tested with Nitrogen or compressed air at the maximum allowable working pressure

--Working pressure up to:

ND Series-Stainless steel: 3000 psig (207 bar)

Brass: 3000 psig (207 bar)

NDH Series-Stainless steel: 5000 psig(345 bar)

--Working temperature with stem tip:

--PCTFE stem tip: -20°F to 200F(-28°C to 93°C)

--PEEK stem tip: -20°F to 400°F(-28°C to 204°C)

--Working temperature with O-ring:

Fluorocarbon Rubber (FKM):

-20°F to 400°F(-28°C to 204°C)

Nitrile Butadiene Rubber (NBR) :

-20°F to 212°F(-28°C to 100°C)

Ethylene Propylene Diene Rubber PDM): -20°F to 300°F (-28°C to 148°C)

序号 Item	组件 Component	阀体材质 / Valve Body Material				
		304 SS	316 SS	Alloy C-276	Brass	Alloy 400
		材料等级/ASTM 规范 / Material Grade/ASTM Specification				
1	Handle	Anodized aluminum				
2	Stop Pin	Stainless steel				
3	Spool	Aluminum				
4	Set Screw	Stainless steel				
5	Packing Bolt	304 SS/A479	304 SS/A479	304 SS/A479	Brass C36000/B16	Alloy 400/B164
6	Backup Ring	PTFE/D1710				
7	O-ring	Fluorocarbon Rubber (FKM), Nitrile Butadiene Rubber (NBR) or Ethylene Propylene Diene Rubber (EPDM)				
8	Washer	316 SS/A479	316 SS/A479	316 SS/A479	316 SS/A479	Alloy 400/B164
9	Stem	316 SS/A479	316 SS/A479	316 SS/A479	316 SS/A479	Alloy 400/B164
10	Stem Tip	PCTFE or PEEK				
11	Body	316 SS/A182	304 SS/A182	321 SS/A182	Brass C37700/B283	Alloy 400/B564
	Lubricant	Molybdenum disulfide-based				

1.项目 12 适用于孔径为 4.0 和 6.0 的阀门。对于孔径为 10.0、75.0 和 18.0mm 的阀门，项目 13、14 和 75 可代替项目 72。

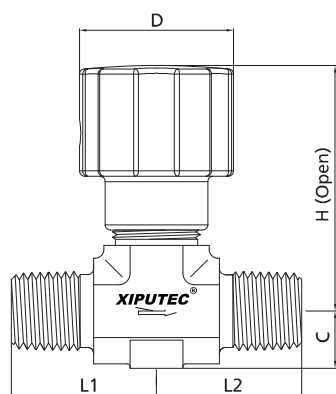
2.如需其他材料，请联系 XIPUTEC Valves 或我们的授权经销商

1.Item 12 is applied valves with orifice of 4.0 and 6.0.For valves with orifice of 10.0,75.0 and 18.0mm,item 13,14 and 75 are used instead of item 72.

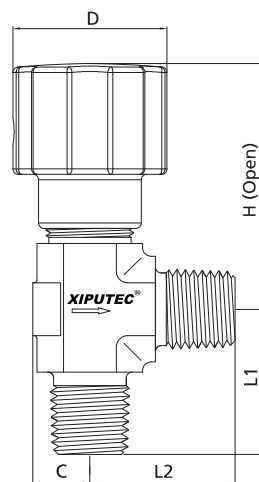
2.Contact XIPUTEC Valves or our authorized distributors for other materials

尺寸/Dimensions

标准图案 / Straight Pattern



角度图案 / Angle Pattern



阀件-针阀 / Valve parts-Needle valve

零件号 Part No.	连接类型和尺寸 Connection Type and Size		孔径 Orifice in.(mm)	Cv	L1	L2	C	D	H
	内径/Inlet	外径/Outlet							
##-NN-NT2	1/8 Male NPT	1/8 Male NPT	0.08 (2.0)	0.12	0.81 (20.6)	0.81 (20.6)	0.32 (8.1)	1.06 (26.9)	1.86 (47.2)
##-NN-NT2-ID2	1/8 Male NPT	1/8 Male NPT	0.08 (2.0)	0.12	0.81 (20.6)	1.10 (27.9)	0.32 (8.1)	1.06 (26.9)	1.86 (47.2)
##-NN-ID2	1/8" XIPUTEC	1/8" FLST	0.08 (2.0)	0.12	1.10 (27.9)	1.10 (27.9)	0.32 (8.1)	1.06 (26.9)	1.86 (47.2)
##-NN-MD3	3 mm XIPUTEC 1/4	3 mm XIPUTEC	0.08 (2.0)	0.12	1.10 (27.9)	1.10 (27.9)	0.32 (8.1)	1.06 (26.9)	1.86 (47.2)
##-NN-NT4	Male NPT 1/4	1/4 Male NPT	0.16 (4.0)	0.27	0.98 (25.0)	0.98 (25.0)	0.39 (10.0)	1.13 (28.7)	1.86 (47.2)
##-NN-NT4-ID4	Male NPT 1/4"	1/4 XIPUTEC	0.16 (4.0)	0.27	0.98 (25.0)	1.13 (28.7)	0.39 (10.0)	1.13 (28.7)	1.86 (47.2)
##-NN-ID4	XIPUTEC	1/4" XIPUTEC	0.16 (4.0)	0.27	1.13 (28.7)	1.13 (28.7)	0.39 (10.0)	1.13 (28.7)	1.86 (47.2)
##-NN-MD6	6 mm XIPUTEC	6 mm XIPUTEC	0.16 (4.0)	0.27	1.13 (28.7)	1.13 (28.7)	0.39 (10.0)	1.13 (28.7)	1.86 (47.2)
##-NN-MD8	8 mm XIPUTEC 1/4	8 mm XIPUTEC	0.16 (4.0)	0.27	1.18 (30.0)	1.18 (30.0)	0.39 (10.0)	1.13 (28.7)	1.86 (47.2)
##-NN-FNT4	Female NPT 3/8	1/4 Female NPT	0.22 (5.6)	0.53	1.06 (26.9)	1.06 (26.9)	0.49 (12.5)	1.22 (31.0)	2.02 (51.3)
##-NN-NT6	Male NPT 3/8"	3/8 Male NPT	0.22 (5.6)	0.53	1.12 (28.6)	1.12 (28.6)	0.49 (12.5)	1.22 (31.0)	2.02 (51.3)
##-NN-ID6	XIPUTEC 1/2" XIPUTEC	3/8" XIPUTEC	0.22 (5.6)	0.53	1.29 (32.8)	1.29 (32.8)	0.49 (12.5)	1.22 (31.0)	2.02 (51.3)
##-NN-ID8	10 mm XIPUTEC	1/2" XIPUTEC	0.22 (5.6)	0.53	1.40 (35.6)	1.40 (35.6)	0.49 (12.5)	1.22 (31.0)	2.02 (51.3)
##-NN-MD10	12 mm XIPUTEC 1/8	10 mm XIPUTEC	0.22 (5.6)	0.53	1.30 (33.0)	1.30 (33.0)	0.49 (12.5)	1.22 (31.0)	2.02 (51.3)
##-NN-MD12	Male NPT 1/8"	12 mm	0.22 (5.6)	0.53	1.40 (35.6)	1.40 (35.6)	0.49 (12.5)	1.22 (31.0)	2.02 (51.3)
##-NNH-NT2	XIPUTEC	1/8 Male NPT	0.08 (2.0)	0.12	0.81 (20.6)	0.81 (20.6)	0.32 (8.1)	1.06 (26.9)	1.86 (47.2)
##-NNH-ID2	3 mm XIPUTEC 1/4	1/8" XIPUTEC	0.08 (2.0)	0.12	1.10 (27.9)	1.10 (27.9)	0.32 (8.1)	1.06 (26.9)	1.86 (47.2)
##-NNH-MD3	Male NPT 1/4"	3 mm XIPUTEC	0.08 (2.0)	0.12	1.10 (27.9)	1.10 (27.9)	0.32 (8.1)	1.06 (26.9)	1.86 (47.2)
##-NNH-NT4	XIPUTEC	1/4 XIPUTEC NPT	0.16 (4.0)	0.27	0.98 (25.0)	0.98 (25.0)	0.39 (10.0)	1.13 (28.7)	1.98 (50.2)
##-NNH-ID4	6 mm XIPUTEC	1/4" XIPUTEC	0.16 (4.0)	0.27	1.13 (28.7)	1.13 (28.7)	0.39 (10.0)	1.13 (28.7)	1.98 (50.2)
##-NNH-MD6		6 mm XIPUTEC	0.16 (4.0)	0.27	1.13 (28.7)	1.13 (28.7)	0.39 (10.0)	1.13 (28.7)	1.98 (50.2)

1.连接类型“XIPUTEC”表示XIPUTEC双卡套管接头。当阀门连接类型为XIPUTEC双卡套管接头时，阀门的工作压力与所用管道的壁厚有关。有关阀门的具体工作压力，请参阅XIPUTEC 管材目录的允许工作压力。

2.连接类型“TS”表示英制管承插焊。“MCS”表示公制管承插焊，“MGB”表示公制管对接焊。“UMB”表示可旋转公制管对接焊。“PS”表示管承插焊。

3.所列尺寸和类型为标准尺寸。可根据要求提供其他尺寸和类型。有关详细信息，请联系XIPUTEC集团或我们的授权经销商。

4.尺寸显示XIPUTEC管接头螺母用手拧紧。所有尺寸仅供参考，可能会更改。对于上面未显示的尺寸。

请联系 XIPUTEC VALVES 或我们的授权经销商

1.Connection type of "XIPUTEC" means XIPUTEC double ferrule tube fittings. When the connection type of valves is XIPUTEC double ferrule tube fitting, the working pressures of the valves are related to the wall thickness of tubing applied. For specific working pressure of the valves, please refer to the allowable working pressures in XIPUTEC Catalog Tubing.

2.Connection type of "TS" means fractional tube socket weld. "MCS" means metric tube socket weld, "MGB" means metric tube butt weld. "UMB" means rotatable metric tube butt weld. "PS" means pipe socket weld.

3.Sizes and types listed are standard. Other sizes and types are available upon request. For details, please contact XIPUTEC Group or our authorized distributors.

4.Dimensions are shown with XIPUTEC tube fitting nuts finger-tight. All dimensions are for reference only and are subject to change. For dimensions not shown above.

please contact XIPUTEC VALVES or our authorized distributors

订购编号说明

SS $\xrightarrow{\textcircled{1}}$ **NN** $\xrightarrow{\textcircled{2}}$ **ID** $\xrightarrow{\textcircled{3}}$ **8**

材料 / Material		系列 / Series	连接类型 Connection Type		连接尺寸 Connection Size	
SS	316 SS	NN	NTF	Female NPT	2	1/8"
S4	304 SS	NNH	NT	Male NPT	4	1/4"
M4	Alloy 400		RTF	Female BSPT	6	3/8" or 6 mm
B	Brass		RT	Male BSPT	8	1/2" or 8 mm
C	Carbon Steel		ID	Fractional Tube Fitting	10	10 mm
TI	Titanium		MD	Metric Tube Fitting	12	3/4" or 12 mm
					14	14 mm

$\xrightarrow{\textcircled{4}}$ **PE** $\xrightarrow{\textcircled{5}}$ **A** $\xrightarrow{\textcircled{8}}$ **C1**

阀座材质 Seat Material		流动型态 Flow Pattern		清洁及产品包装 Cleaning and Packaging
PTFE		Straight		
PE	PEEK	A	Angle	
GR	Graphite			